

DMI-210

10" RAILWAY INTELLIGENT HMI



video display systems



The DMI-210 Railway Intelligent HMI is designed to provide a robust and versatile solution for rolling stock applications. With support for a wide range of operating voltage and a top-level mechanical enclosure, this Railway Intelligent HMI is ready for harsh environments and is compliant with EN50155. Options for several interfaces such as Ethernet, serial line and the support for industry standard operating systems make the DMI-210 capable of empowering many on-board applications.

HIGHLIGHTS

- ▶ ROLLING STOCK APPLICATIONS
- ▶ EN50155 COMPLIANT
- ▶ OPERATIONAL TEMPERATURE:
-25°C/+85°C ACCORDING TO EN50155-T3 CLASS
- ▶ WIDE OPERATING VOLTAGE RANGE
- ▶ TOUCHSCREEN
- ▶ AUTOMATIC BRIGHTNESS ADJUSTMENT
- ▶ STANDARD INTERFACES AVAILABLE (ETHERNET 10/100, USB 2.0, ...)
- ▶ RATED IP 65 ON FRONT PANEL
- ▶ LINUX AND WINDOWS XPE SUPPORTED

Technical Specifications

APPROVALS/COMPLIANCE

Governing Standard: EN 50155 Railway Applications
(Electronic equipment used on rolling stock)

APPROVALS/COMPLIANCE (EMC)

Electromagnetic compatibility rolling stock apparatus: EN 50121-3-2

APPROVALS/COMPLIANCE (ENVIRONMENT)

Environmental test: EN60068-2-1
Guidelines for fire protection - Evaluation of fire behavior of materials: UNI CEI 11170-3
Shock & Vibration: EN 61373
Temperature range: -25°C/+70°C (-25°C/+85°C for 10 minutes according to EN50155 -T3 class)

DISPLAY

Colors: 256 K
Contrast: 600:1 (typ)
Dimming: Max ÷ 4 cd/m
Luminance: 450 cd/m² (typ)
Resolution: 640 x 480 (VGA)
Size: 10.4"

EMBEDDED PROCESSOR UNIT

CPU: AMD Geode LX800, 500 Mhz
Cache memory size: 128 KB
Flash Memory: 2 GB Disk On Module
Input peripherals: 1 x PS/2 mouse/keyboard port (service)
LAN: 1 x Ethernet 10/100 Base-T port
RAM size: 512 MB
Sensors: Luminosity sensor
Speaker: Built-in, 2 Watt
USB: USB 2.0 port (service)

OPERATING SYSTEMS

Linux (kernel 2.6.x)
Windows XPE

POWER SUPPLY

Voltage range: 14,4 ÷ 40 Vcc

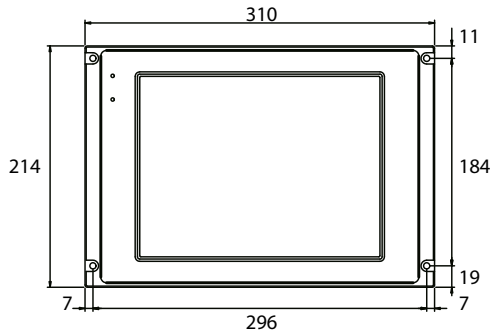
DMI-210

10" RAILWAY INTELLIGENT HMI

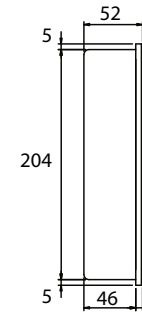


video display systems

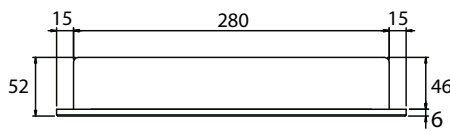
Wall Mounting



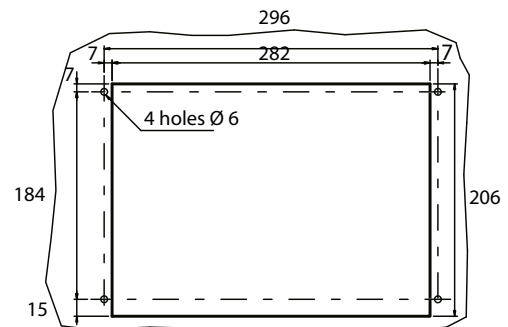
FRONT VIEW



SIDE VIEW



TOP VIEW



PANEL CUT OUT

Ordering Codes

DMI-210 24 Vdc version

DM210M DMI-210 VGA Railway Intelligent HMI,
LX800 500 Mhz, 512MB RAM, 2GB SSD, 24Vdc

Included with this version

DM10TS 10.4" resistive touch screen

DMI-210 72/96/110 Vdc version

DM210N DMI-210 VGA Railway Intelligent HMI,
LX800 500 Mhz, 512MB RAM, 2GB SSD,
72/96/110 Vdc

Included with this version

DM10TS 10.4" resistive touch screen

OPTIONS

One among the following:

DM0061 RS-232 port for PC interface
DM0062 RS-422 port for PC interface
DM0063 RS-485 port for PC interface
DM0064 RS-422 port, 2 wires, optoisolated
DM0065 RS-485 port, 4 wires, optoisolated

OPTIONS

One among the following:

DM01FM 1 GB Disk On Module
DM04FM 4 GB Disk On Module

One among the following:

DMOS01 Windows XP/PE operating system (without license)
DMOS02 Linux operating system

Connectors and cables:

DM0068 M23 power connector + 2 pins