

DMI-410

10" RAILWAY INTELLIGENT HMI



video display systems



The DMI-410 Railway Intelligent HMI is designed to provide a robust and versatile solution for rolling stock applications. With support for a wide range of operating voltage and a top-level mechanical enclosure, this Railway Intelligent HMI is ready for harsh environments and is compliant with EN50155. Options for several interfaces such as Ethernet, serial line and the support for industry standard operating systems make the DMI-410 capable of empowering many on-board applications.

HIGHLIGHTS

- ▼ ROLLING STOCK APPLICATIONS
- ▼ EN50155 COMPLIANT
- ▼ OPERATIONAL TEMPERATURE: -25°C/+85°C ACCORDING TO EN50155-T3 CLASS
- ▼ WIDE OPERATING VOLTAGE RANGE
- ▼ ATOM PROCESSOR
- ▼ AUTOMATIC BRIGHTNESS ADJUSTMENT
- ▼ STANDARD INTERFACES AVAILABLE (ETHERNET 10/100, USB 2.0, ...)
- ▼ RATED IP 65 ON FRONT PANEL
- ▼ LINUX AND WINDOWS XPE SUPPORTED
- ▼ TOUCHSCREEN

Technical Specifications

APPROVALS/COMPLIANCE

Governing Standard: EN 50155 Railway Applications (Electronic equipment used on rolling stock)

APPROVALS/COMPLIANCE (EMC)

Electromagnetic compatibility rolling stock apparatus: EN 50121-3-2

APPROVALS/COMPLIANCE (ENVIRONMENT)

Environmental test: EN 60068-2-1
 Guidelines for fire protection - Evaluation of fire behavior of materials: UNI CEI 11170-3
 Shock & Vibration: EN 61373
 Temperature range: -25°C/+70°C (-25°C/+85°C for 10 minutes according to EN50155 -T3 class)

DISPLAY

Colors: 256 K
 Contrast: 500:1 (typ)
 Dimming: Max ÷ 4 cd/m
 Luminance: 420 cd/m² (typ)
 Resolution: 800 x 600 (VGA)
 Size: 10.4"

EMBEDDED PROCESSOR UNIT

CPU: Atom 270, 1.6 Ghz
 Cache memory size: 512 KB
 Flash Memory: 2 GB Disk On Module
 Input peripherals: 1 x PS/2 mouse/keyboard port (service)
 LAN: 1 x Ethernet 10/100 Base-T port
 RAM size: 512 MB
 Sensors: Luminosity sensor
 Speaker: Built-in, 2 Watt
 USB: USB 2.0 port (service)

OPERATING SYSTEMS

Linux (kernel 2.6.x)
 Windows XPE

POWER SUPPLY

Voltage range: 14,4 ÷ 40 Vcc

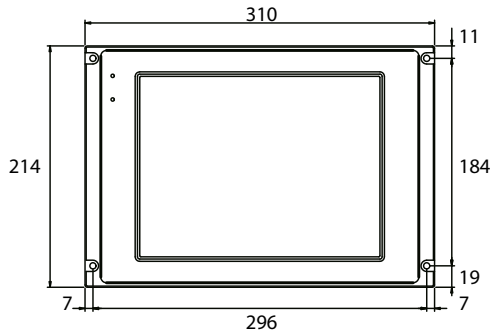
DMI-410

10" RAILWAY INTELLIGENT HMI

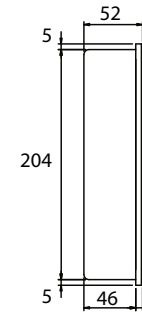


video display systems

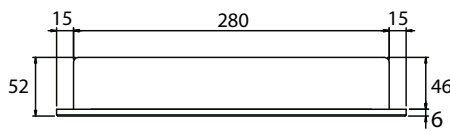
Wall Mounting



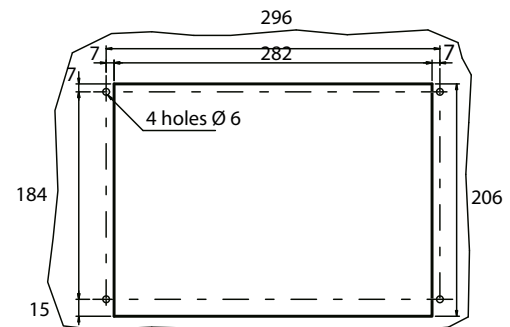
FRONT VIEW



SIDE VIEW



TOP VIEW



PANEL CUT OUT

Ordering Codes

DMI-410 24 Vdc version

DM410M DMI-410 VGA Railway Intelligent HMI, Atom
1.6 Ghz, 512MB RAM, 2GB SSD, 24Vdc

Included with this version

DM10TS 10.4" resistive touch screen

DMI-410 72/96/110 Vdc version

DM410N DMI-410 VGA Railway Intelligent HMI, Atom
1.6 Ghz, 512MB RAM, 2GB SSD, 72/96/110 Vdc

Included with this version

DM10TS 10.4" resistive touch screen

OPTIONS

One among the following:

- DM0061** RS-232 port for PC interface
- DM0062** RS-422 port for PC interface
- DM0063** RS-485 port for PC interface
- DM0064** RS-422 port, 2 wires, optoisolated
- DM0065** RS-485 port, 4 wires, optoisolated

One among the following:

- DM01FM** 1 GB Disk On Module
- DM04FM** 4 GB Disk On Module

OPTIONS

Memory:

- DM02MM** 1 GB RAM

One among the following:

- DM0501** Windows XPE operating system (without license)
- DM0502** Linux operating system

Connectors and cables:

- DM0068** M23 power connector + 2 pins